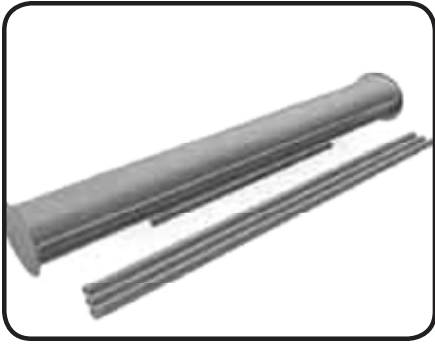
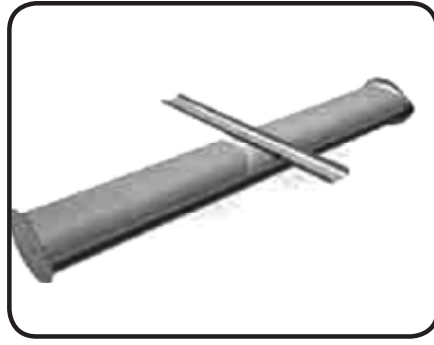


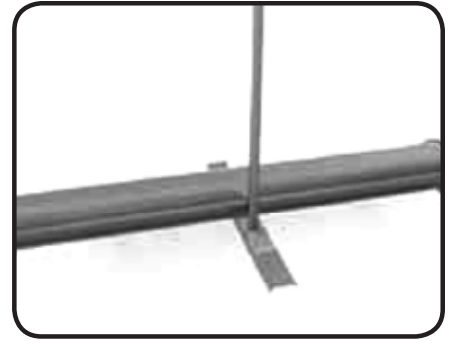
Assembly Instructions



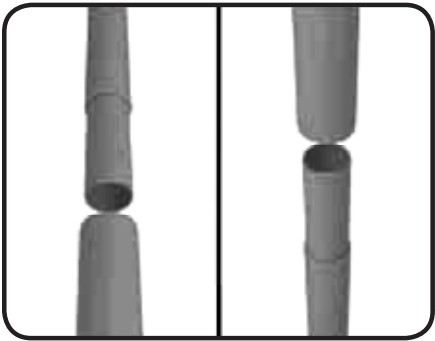
Remove the system from outer packaging and carry bag. Remove poles from underside of system.



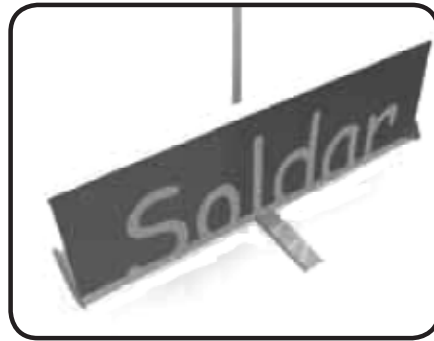
Turn system over and rotate the foot 90 degrees. Make sure that the threaded hole is to the back.



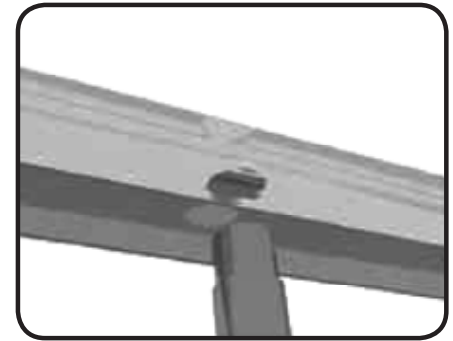
Select the pole with the threaded end and screw into the threaded hole in the foot.



Insert the middle pole (two thin end) into the bottom pole. Insert the top pole into the middle pole.



Grip the graphic rail and carefully pull it upwards.



Position the hole in the rail over the pole.



Your system is now ready to be used.

Reverse the procedure to disassemble. Take care when lowering the graphic, make sure it stays central to the system or you may damage your graphic.